



SOT-953 Four Lines TVS Array for ESD Protection

Description

TVS diodes are designed to replace multilayer varistors (MLVs) in portable applications such as cell phones, notebook computers, and PDA's. They offer superior electrical characteristics such as lower clamping voltage and no device degradation when compared to MLVs.

The UMD12V-953 is a TVS array designed to protect I/O or data lines from the damaging effects of ESD. Their integrated design provides very effective and reliable protection for four separate lines using only one package. The SOT-953 is a very small package which allows space saving on high density printed circuit board and also gives the designer the flexibility to provide Uni-Directional or Bi-Directional protection.

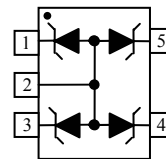
Features

- * Solid-state silicon avalanche technology
- * SOT-953 package
- * Uni-Directional or Bi-Directional protection
- * Protects up to four data lines
- * 65 Watts peak pulse power ($t_p = 8/20\mu s$)
- * Working voltage: 12V
- * Low clamping factor V_{cl}/V_{br}
- * Low leakage current
- * Full RoHS compliance
- * Complies with the following standards:
 - IEC 61000-4-2 (ESD) Air-15kv, Contact-8kv
 - IEC 61000-4-4 (EFT) (5/50ns)
 - IEC 61000-4-5 (Surge) (8/20 μs)

Small Surface Mount Device TVS



SOT-953 Pin Configuration



<u>Pin</u>	<u>Description</u>
1	Cathode
2	Anode
3	Cathode
4	Cathode
5	Cathode

Mechanical Characteristics

- * Molded SOT-953 package
- * Weight 1.18 milligrams (Approximate)
- * Available in Lead-Free Pure-Tin Plating
- * Solder Reflow Temp: Pure-Tin (Sn), 260-270°C
- * Consult Factory for Leaded Device Availability
- * Flammability Rating UL 94V-0
- * 8mm Tape and Reel per EIA Standard 481
- * Device Marking: Marking Code,
Pin one defined by DOT

Applications

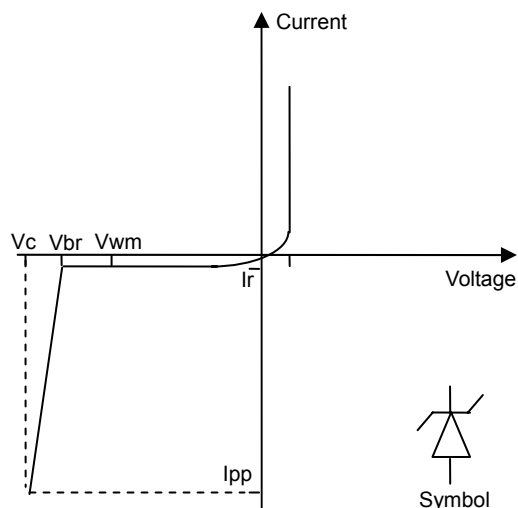
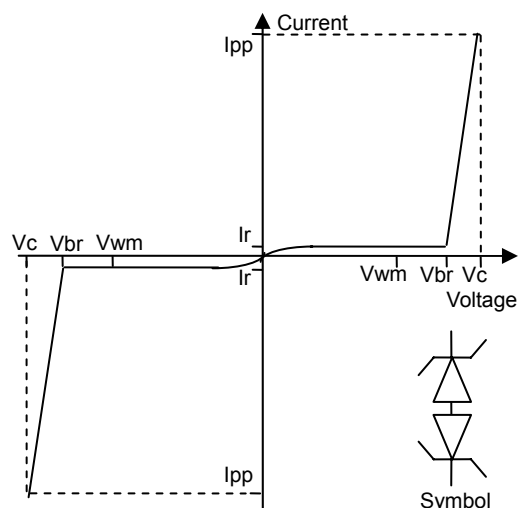
- * Cellular Handset
- * PDA
- * Notebook
- * Digital Camera
- * Wifi Phone
- * Microprocessor Based Equipment

SOT-953 Four Lines TVS Array for ESD Protection
Absolute Maximum Ratings @ 25°C unless otherwise specified

Parameter	Symbol	Value	Units
Peak Pulse Power	P _{pp}	65	W
Peak Pulse Current	I _{pp}	3	A
ESD per IEC 61000-4-2 (Air)	V _{pp}	±15	kV
ESD per IEC 61000-4-2 (Contact)		±8	
Operating Temperature	T _j	-55 to 125	°C
Storage Temperature	T _{stg}	-55 to 150	°C

Electrical Characteristics @ 25°C unless otherwise specified

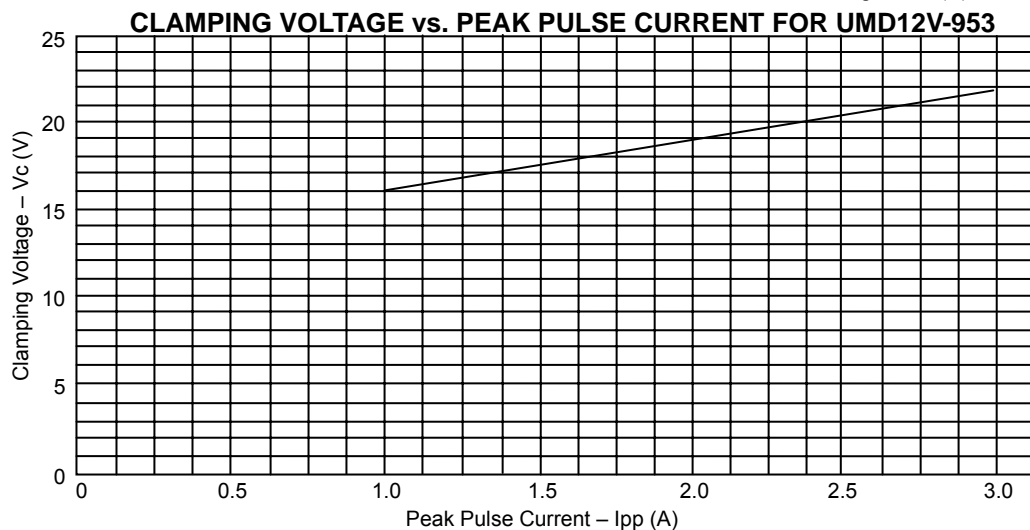
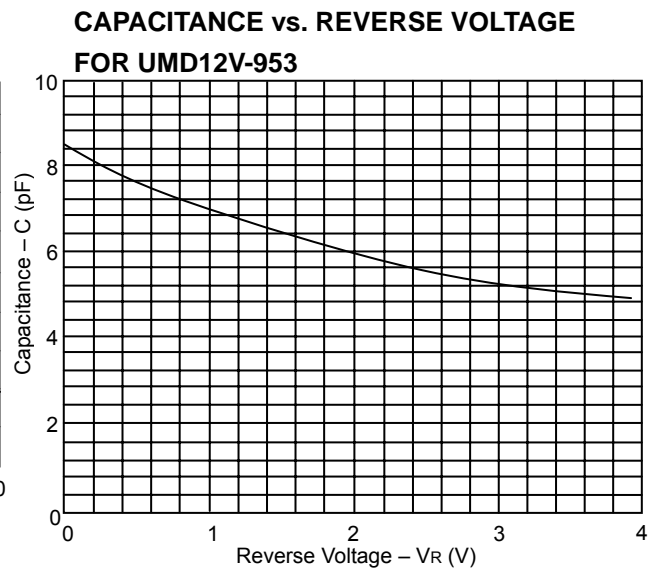
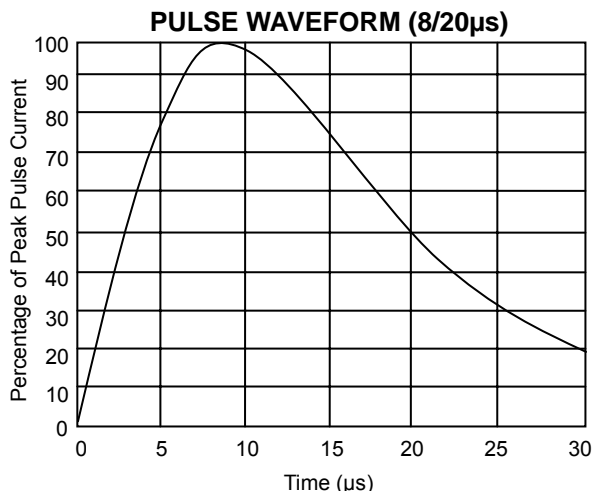
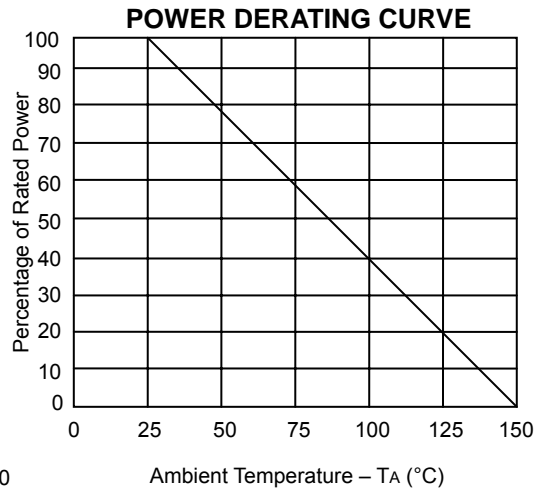
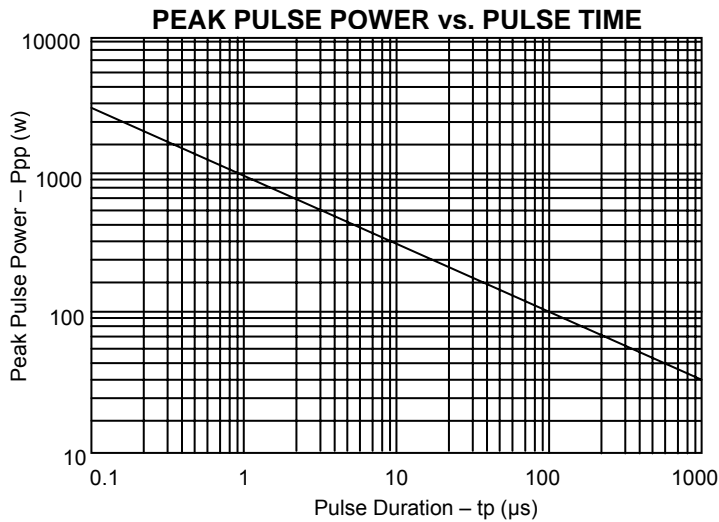
Parameter	Symbol	Conditions	Minimum	Typical	Maximum	Units
Stand-off Voltage	V _{wm}				12.0	V
Breakdown Voltage	V _{br}	I _t =1mA	13.0			V
Leakage Current	I _r	V _{wm} =9V, T=25°C			0.3	μA
Clamping Voltage	V _c	I _{pp} =1A T _p =8/20μs			16.0	V
Clamping Voltage	V _c	I _{pp} =3A T _p =8/20μs			21.7	V
Peak Pulse Current	I _{pp}	T _p =8/20μs			3	A
Junction Capacitance	C _j	V _r =0V, f=1MHz		7.0	8.5	pF

Uni-Directional Protection

Bi-Directional Protection




SOT-953 Four Lines TVS Array for ESD Protection

Electrical Characteristics Graphs



SOT-953 Four Lines TVS Array for ESD Protection

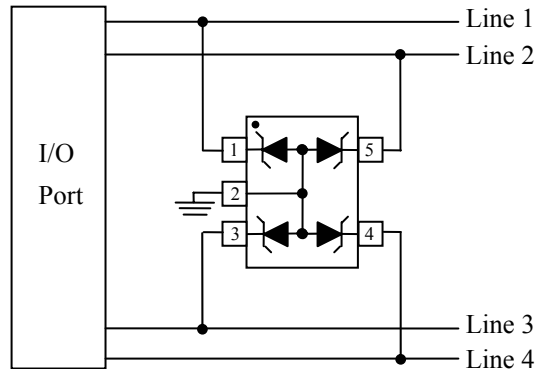
Applications Information

The UMD12V-953 is designed for use in applications where board space is at a premium. Each device requires less than 1.2mm² of PCB area and will protect up to four Uni-Directional lines.

The UMD12V-953 provides up to 4 lines of protection in a common-mode Uni-Directional configuration.

Circuit connectivity is as follows:

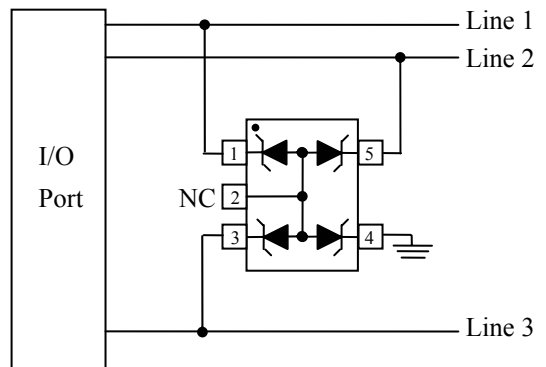
- Line 1 is connected to Pin 1
- Line 2 is connected to Pin 5
- Line 3 is connected to Pin 3
- Line 4 is connected to Pin 4
- Pin 2 is connected to ground



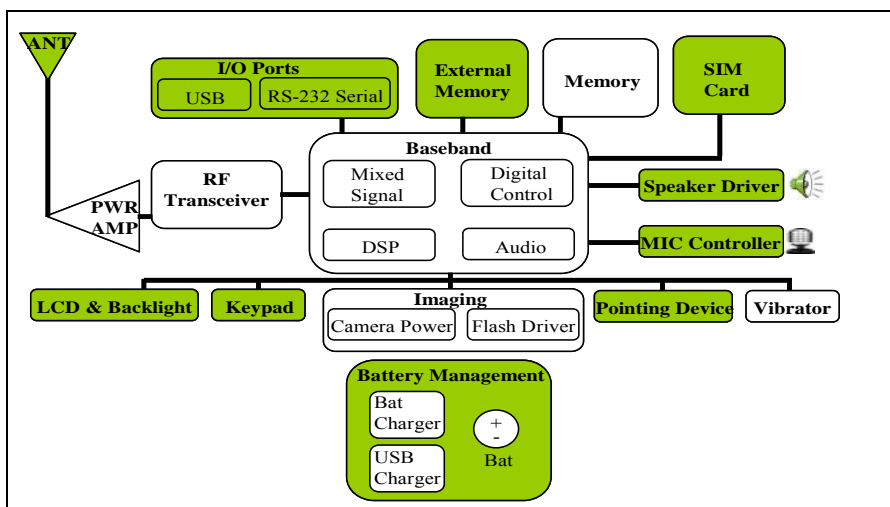
The UMD12V-953 provides up to 3 lines of protection in a common-mode Bi-Directional configuration.

Circuit connectivity is as follows:

- Line 1 is connected to Pin 1
- Line 2 is connected to Pin 5
- Line 3 is connected to Pin 3
- Pin 4 is connected to ground
- Pin 2 is not connected



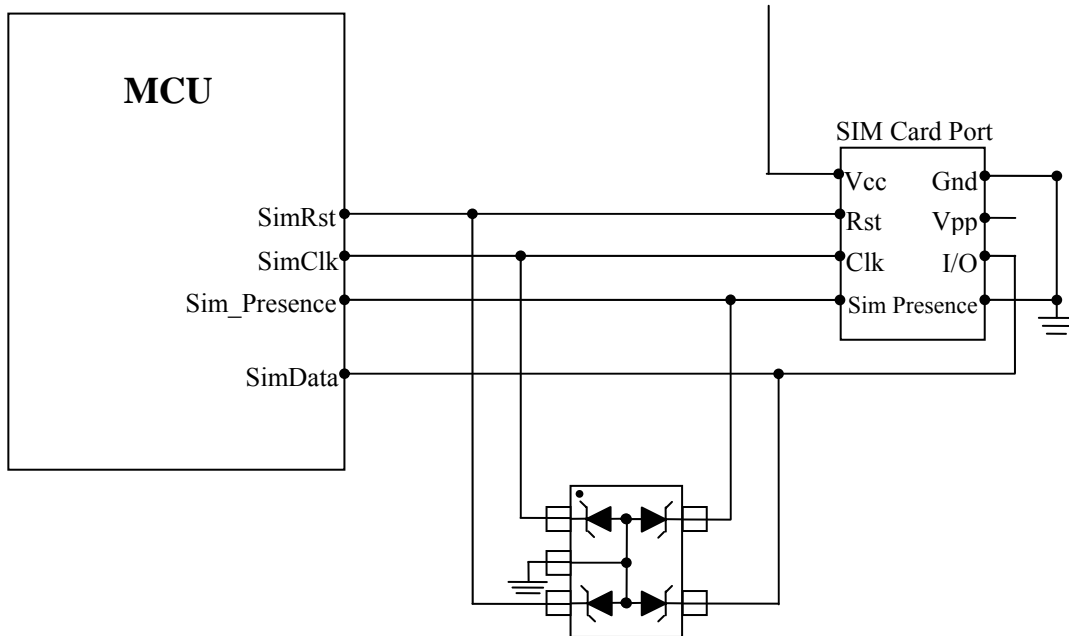
Mobile Handset Block Diagram



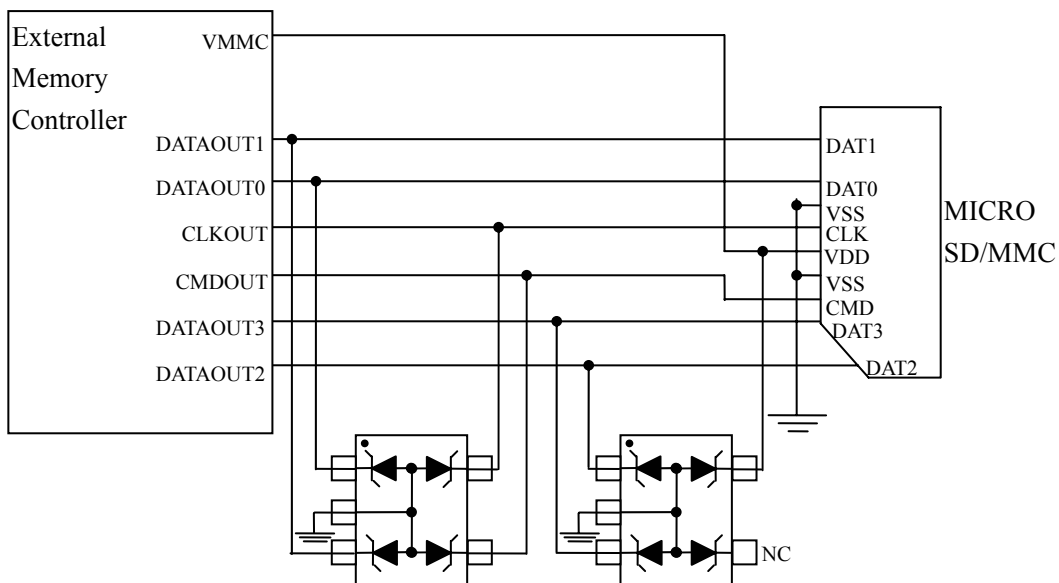
Areas that require ESD protection are highlighted.

SOT-953 Four Lines TVS Array for ESD Protection

UMD12V-953 on Sim Card Port Application

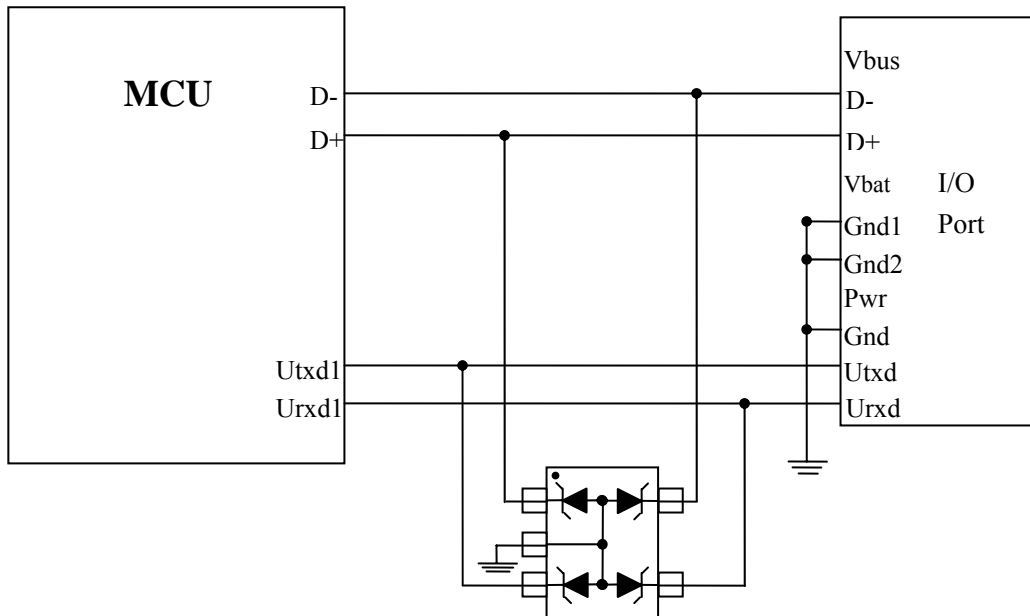


UMD12V-953 on External Micro SD/MMC Port Application

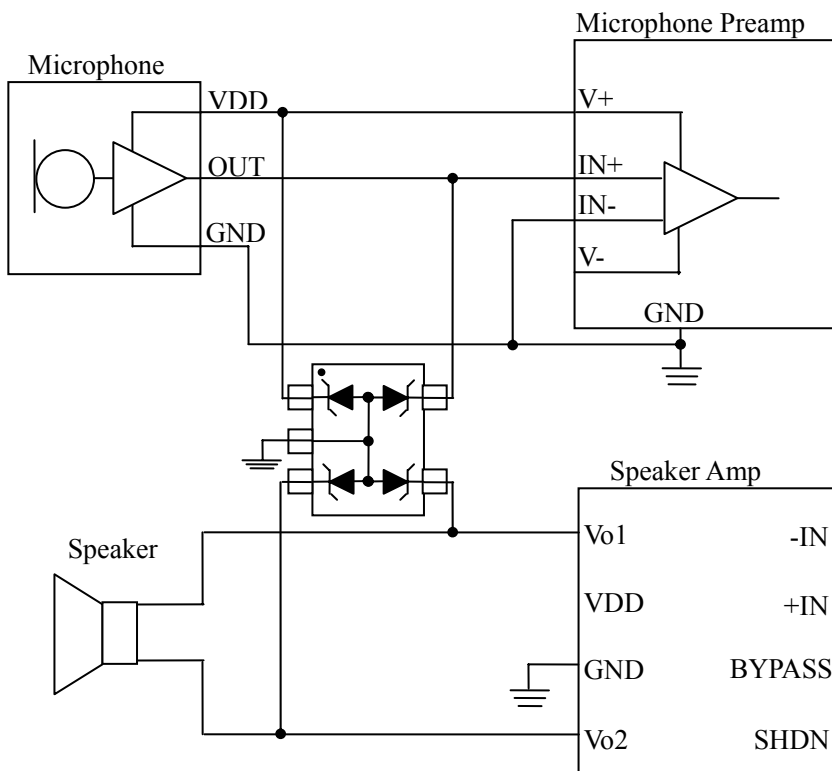


SOT-953 Four Lines TVS Array for ESD Protection

UMD12V-953 on I/O Port Application

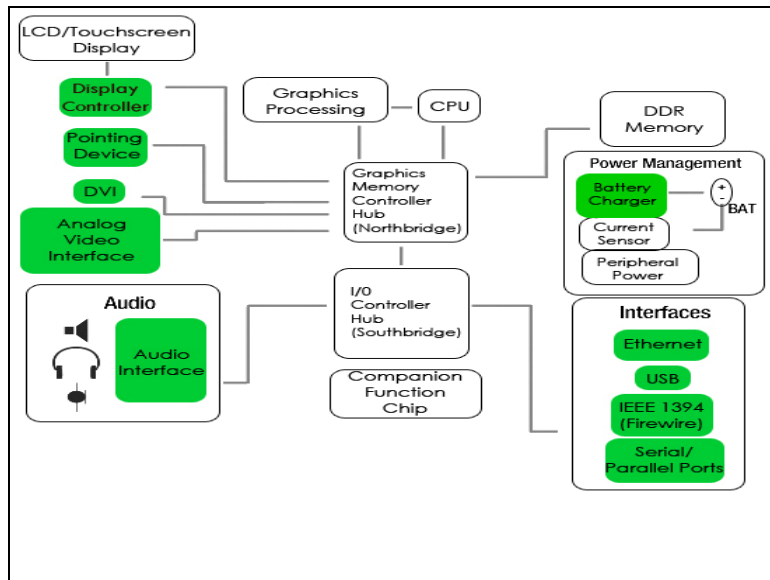


UMD12V-953 on Speaker and Microphone Application



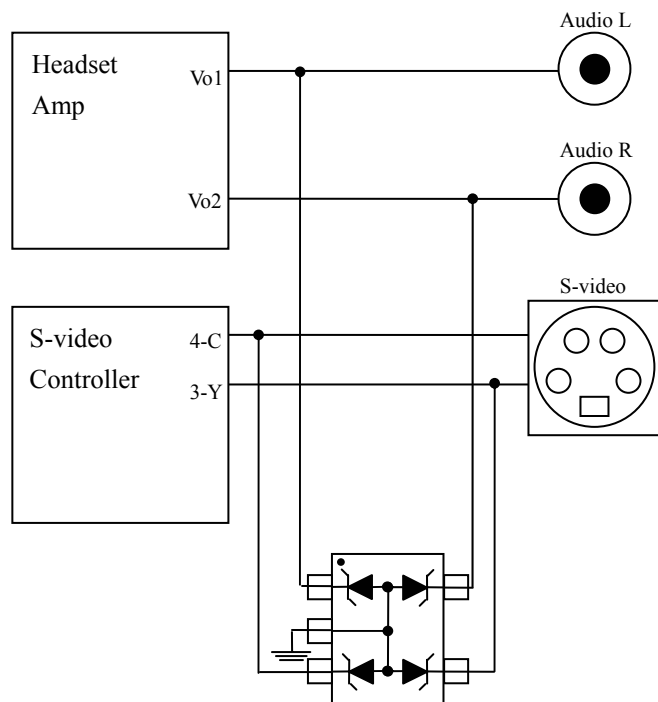
SOT-953 Four Lines TVS Array for ESD Protection

Laptop Block Diagram



Areas that require ESD protection are highlighted.

UMD12V-953 on S-video and Audio Ports Application



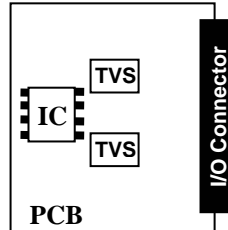
SOT-953 Four Lines TVS Array for ESD Protection

Circuit Board Layout Recommendations

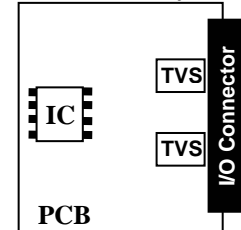
Good circuit board layout is critical for creating an effective surge suppression circuit. The following PCB guidelines are recommended to enhance the performance of a TVS device:

- Place the TVS near the input terminals or connectors to restrict transient coupling.
- Minimize the path length between the TVS and the protected line.
- The ESD transient return path to ground should be kept as short as possible.
- Place a TVS and decoupling capacitor between power and ground of components that may be vulnerable to electrostatic discharges to the ground plane.
- Minimize all conductive loops including power and ground loops.
- Use multilayer boards when possible.
- Minimize interconnecting line lengths.
- Never run critical signals near board edges.
- Fill unused portions of the PCB with ground plane.

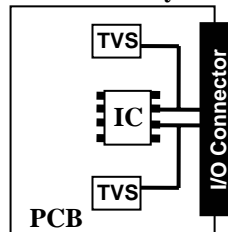
Poor PCB Layout



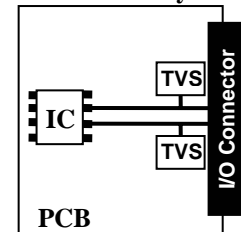
Good PCB Layout



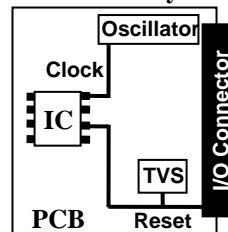
Poor PCB Layout



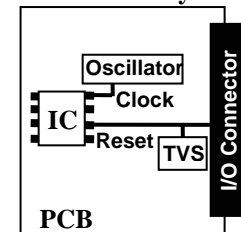
Good PCB Layout



Poor PCB Layout



Good PCB Layout



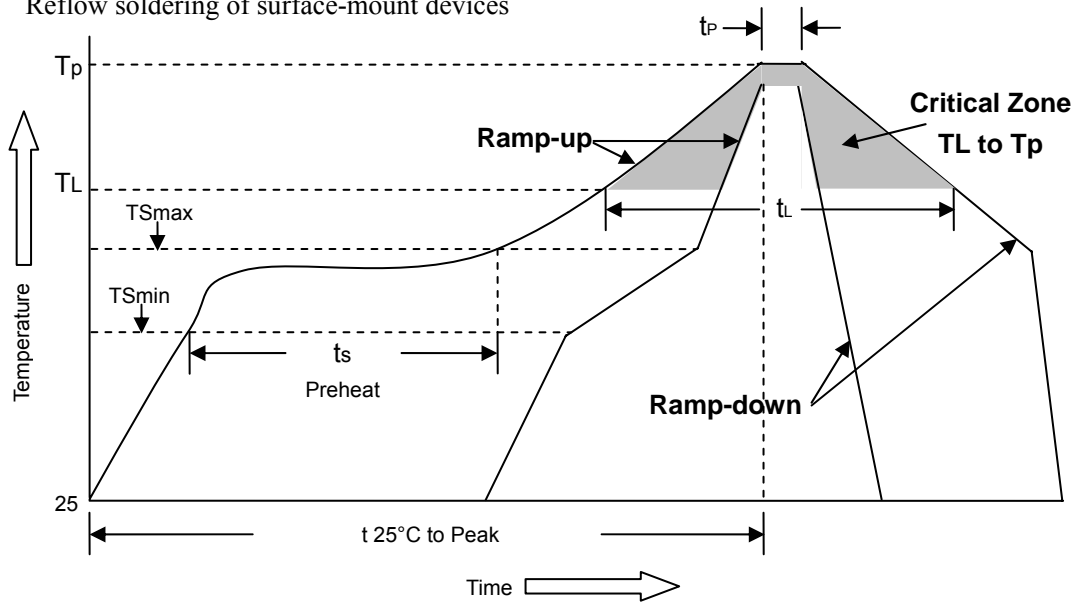
Matte Tin Lead Finish

Matte tin has become the industry standard lead-free replacement for SnPb lead finishes. A matte tin finish is composed of 100% tin solder with large grains. Since the solder volume on the leads is small compared to the solder paste volume that is placed on the land pattern of the PCB, the reflow profile will be determined by the requirements of the solder paste. Therefore, these devices are compatible with both lead-free and SnPb assembly techniques. Unlike other lead-free compositions, matte tin does not have any added alloys that can cause degradation to solder joint.

SOT-953 Four Lines TVS Array for ESD Protection

Soldering Method for UMD's Products

1. Storage environment: Temperature = 10°C~35°C Humidity = 65%±15%
2. Reflow soldering of surface-mount devices



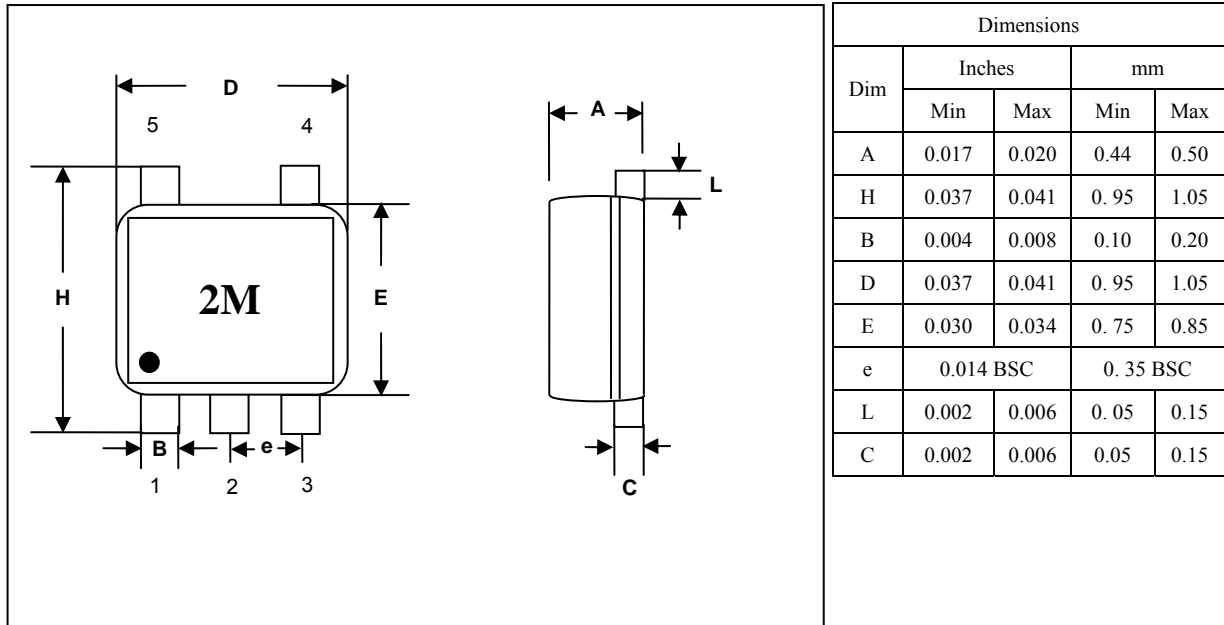
Profile Feature	Pb-Free Assembly
Average ramp-up rate (TL to TP)	<3°C/sec
Preheat	
- Temperature Min (T _{Smin})	150°C
- Temperature Max (T _{Smax})	200°C
- Time (min to max) (t _s)	60~180sec
T _{Smax} to TL	
- Ramp-up Rate	<3°C/sec
Time maintained above:	
- Temperature (TL)	220°C
- Time (t _L)	50~145sec
Peak Temperature (T _p)	260°C +0/-5°C
Time within 5°C of actual Peak Temperature (t _p)	20~40sec
Ramp-down Rate	<6°C/sec
Time 25°C to peak Temperature	<8 minutes

Flow (wave) soldering (solder dipping)

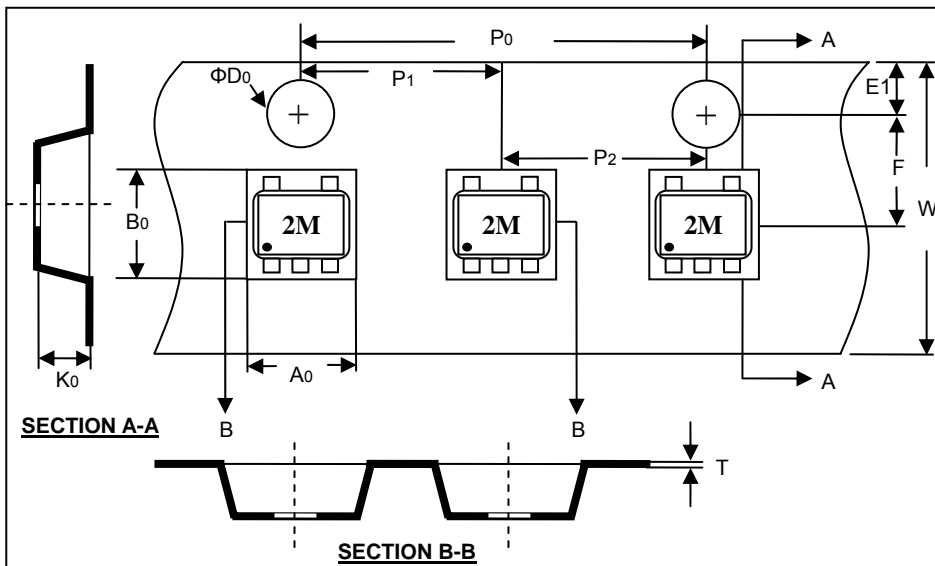
Products	Dipping time
Pb devices	5sec±1sec
Pb-Free devices	5sec±1sec

SOT-953 Four Lines TVS Array for ESD Protection

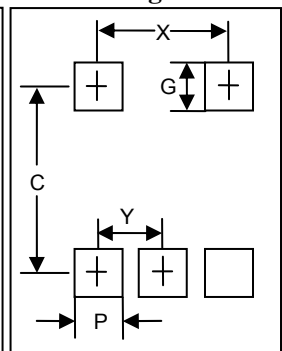
UMD12V-953 Dimension Drawing



UMD12V-953 Carrier Dimension



Mounting Pattern



Typical		
Dim	MM	Inches
C	0.90	0.035
G	0.20	0.080
P	0.20	0.080
X	0.70	0.028
Y	0.35	0.014

Dimensions in mm.

Reel Dia.	Tape Width	A0	B0	K0	ΦD0	E1
178mm (7")	8mm	1.16±0.05	1.16±0.05	0.63±0.05	1.50±0.10	1.75±0.10
F	W	P0	P1	P2	T	
3.50±0.05	8.00±0.30	4.00±0.10	2.00±0.05	2.00±0.05	0.20±0.02	



SOT-953 Four Lines TVS Array for ESD Protection

Marking Code

Part Number	Device Marking
UMD12V-953	2M

Ordering Information

Part Number	Lead Finish	Qty Per Reel	Reel Size
UMD12V-953	Pb-Free	8,000	7 inch

Please Read Carefully

Information in this document is provided solely in connection with UMD products. UMD reserves the right to make changes, corrections, modifications or improvements, to this document, and the products and services described herein at any time, without notice.

All UMD products are sold pursuant to UMD's terms and conditions of sale.

Purchasers are solely responsible for the choice, selection and use of the UMD products and services described herein, and UMD assumes no liability whatsoever relating to the choice, selection or use of the UMD products and services described herein.

No license, express or implied, by estoppels or otherwise, to any intellectual property rights is granted under this document. If any part of this document refers to any third party products or services it shall not be deemed a license grant by UMD for the use of such third party products or services, or any intellectual property contained therein or considered as a warranty covering the use in any manner whatsoever of such third party products or services or any intellectual property contained therein.

Unless otherwise set forth in UMD's Terms and Conditions of sale UMD disclaims any express or implied warranty with respect to the use and/or sale of UMD products including without limitation implied warranties of merchantability, fitness for a particular purpose (and their equivalents under the laws of any jurisdiction), or infringement of any patent, copyright or other intellectual property right.

Unless expressly approved in writing by an authorized UMD representative, UMD products are not recommended, authorized or warranted for use in military, air craft, space, life saving, or life sustaining applications, nor in products or systems where failure or malfunction may result in personal injury, death, or severe property or environmental damage. Resale of UMD products with provisions different from the statements and/or technical features set forth in this document shall immediately void any warranty granted by UMD for the UMD product or service described herein and shall not create or extend in any manner whatsoever, any liability of UMD.

2010 United Micro Device Inc – All rights reserved

www.umdcorp.com